

VISIANO 20-2 C T1

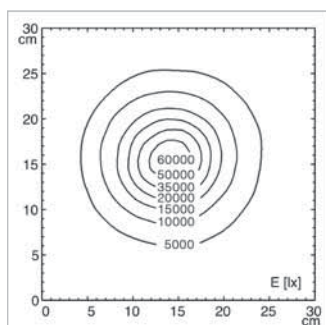
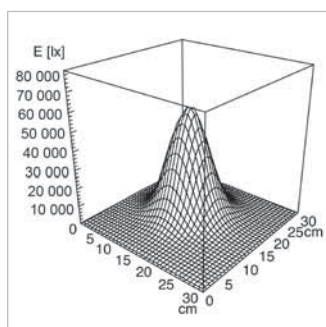
TECHNICAL DATA

FITTED WITH	1 x LED module
LUMINOUS POWER	60 000 lux / 0.5 m *
ILLUMINANCE FIELD 0.5 m	Ø 21 cm *
COLOR RENDERING INDEX	CRI > 95
COLOR TEMPERATURE	3500 K & 4500 K *
OPERATION EQUIPMENT	Electronic converter
VOLTAGE	100-240 V; 50/60 Hz
CORD LENGTH	Direct power supply
LUMINAIRE BODY	Polycarbonate & Acrylonitrile-butadiene-styrene-copolymer (PC & ABS)
WEIGHT (NET)	9,0 kg
POWER CONSUMPTION	21 W
BALANCE OF ARTICULATION JOINTS	Spring
USAGE	Touch panel on light head
CLASS OF PROTECTION	I
PROTECTION RATING	IP 20
STANDARDS MET	EN 60601-1, EN 60601-2-41
SPECIAL FEATURES	2 color temperatures, 4 dimming levels, anti-microbial, rotary joint (360° turnover axis)
MOUNTING	Ceiling mount, ceiling tube can be cut on site (length: 40-116 cm)
ACCESSORIES	Intermediate ceiling adapter
ORDER NUMBER	D15.450.000-00633104 - pure white

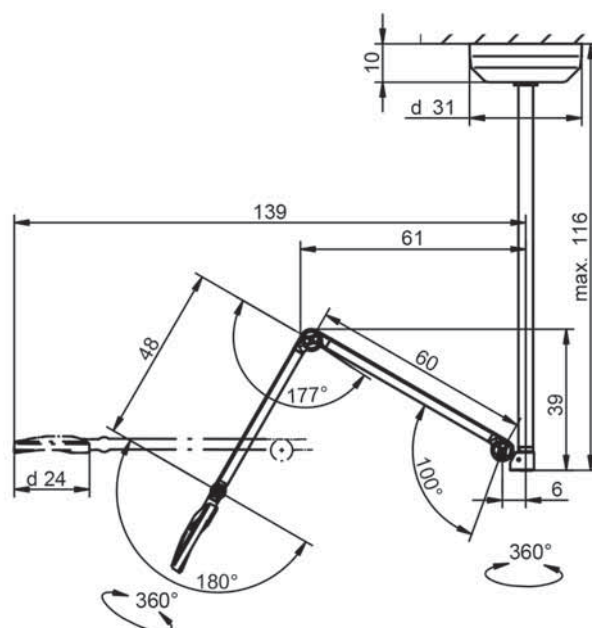
EXAMINATION LIGHTS



LIGHT DISTRIBUTION



TECHNICAL DRAWING



measurements in centimeters

* -10% / +20% tolerance